



# ATTENTION!



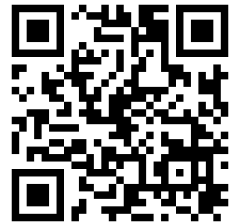
**DO NOT DISCARD!**

This packet contains important details regarding the installation and warranty of your new *Modern Glasteel II* underground storage tank.

Thank you for your purchase of this *Modern Glasteel II* underground storage tank(s).

**Immediately upon delivery, complete the following:**

- 1  Complete the Delivery Inspection form (page 1)
- 2  Review the Installation Instructions (page 5)
- 3  Review the Finishing Instructions (page 11)
- 4  Complete and mail the Warranty Registration form to your Modern Welding subsidiary (page 14)



Installation Video



Complete Form Online



**Modern Welding Company**

www.modweldco.com



<b>Installation Checklist</b>	<b>Glasteel II Jacketed Steel Tanks</b>
-------------------------------	---

**Owner of Tank(s):**

Installation address: \_\_\_\_\_ Date installed: \_\_\_\_\_

City: \_\_\_\_\_ State: \_\_\_\_\_ Zip: \_\_\_\_\_



If the Glasteel II tank(s) have not been installed within 90 days of delivery from the manufacturer, it is required that the tank(s) be re-certified by the manufacturer prior to installation. Re-certification will be at the owner's expense.

**Tank/Vacuum Record:**

U.L. Label No.	Capacity (Gal.)	Recorded vacuum at time of delivery (inches Hg)	Vacuum just prior to installation (inches Hg)

Delivery driver initial

Customer/installer initial



If the tank(s) show a loss of vacuum during installation, contact the Modern Welding subsidiary where it was purchased from (see page 4).



<b>Installation Checklist</b>	<b>Glasteel II Jacketed Steel Tanks</b>
-------------------------------	---

<b>Tank Handling</b>	<b>Yes</b>	<b>No</b>
Equipment has sufficient capacity and size to lift and lower the tank without dropping or dragging the tank?		
If the tank is being stored, is the storage area secure and free of foreign matter that would damage the tank surface?		
Has the stored tank been chocked with a suitable non-abrasive cushioning?		

<b>Inspection</b>	<b>Yes</b>	<b>No</b>
<b>No repairs shall be permitted without prior written approval from a Modern subsidiary.</b>		
Has the tank(s) exterior been inspected?		
Were the tank(s) received without any damage?		
If no, was the above manufacturing subsidiary notified?		
Have shipping plugs and thread protectors been removed from all openings (excluding vacuum gage location) and permanent metal plugs installed in the unused openings?		
Have the tank(s) interior been inspected to be clean and free of any debris?		

<b>Testing</b>	<b>Yes</b>	<b>No</b>
Have the tank(s) tested tight in accordance with the "Glasteel II Installation Instructions"?		
Have all state or local requirements been met?		

<b>Excavation and Bedding</b>	<b>Yes</b>	<b>No</b>
Is the excavation free of material or objects that may cause damage to the tank exterior?		
Has the bottom of the excavation been suitably graded and a minimum of 6 inches clean sand, pea gravel or crushed stone been installed to serve as bedding material?		
Is the burial depth of the tank within its listed burial rating?		
If no, was the above manufacturing subsidiary notified?		
Do burial depths meet the minimum installation code requirements?		



Installation Checklist Glasteel II Jacketed Steel Tanks

Anchoring

Indicate choice:

- Not applicable, Deadman anchors, Concrete pad below tank, Pavement cover and backfill overburden is adequate to hold down tank

Yes No

For a concrete pad installation, has the minimum 6 inches of clean sand, pea gravel or crushed stone been placed between the tank and pad?

Which holddown strap material was used in this installation?

- Steel Straps, Fiberglass, Nylon/Polyester Straps, Other? explain:

If steel straps, is the tank electrically isolated from the anchor straps?

Straps are installed without twists or knots?

Backfill

Yes No

Has approved backfill material been used? (Refer to installation instructions)

Has special care been used to ensure backfill compaction along the tank's bottom quadrant?

Was care taken to ensure that backfill was not dropped more than three (3) feet from the surface of the tank?

Piping Connections

Select any and all that apply:

- Metallic piping used, Non-metallic piping used, Dielectric bushings or flanges used, Fiberglass piping used

Additional Details

If "No" is indicated on any of the above questions, please provide explanation and contact tank manufacturer before installing: (Attach additional sheet if required.)

Horizontal lines for providing additional details or explanations.




**Installation Checklist** **Glasteel II Jacketed Steel Tanks**

<b>Owner Data Package</b>	<b>Yes</b>	<b>No</b>
Has the Owner Data Package containing a copy of the Installation Instructions, Installation Checklist, Finishing Instructions, and Limited Warranty been given to the tank owner?		

**Signatures**

\_\_\_\_\_  
 Foreman/Project Engineer (include title)

\_\_\_\_\_  
 Installation Contractor



**STOP - IMPORTANT WARRANTY NOTICE!**  
 THIS COMPLETED CHECKLIST (PAGES 1-4) ALONG WITH THE WARRANTY FORM (PAGE 14) MUST BE SIGNED AND RETURNED TO THE MODERN WELDING COMPANY, INC SUBSIDIARY FROM WHICH THE TANK WAS FABRICATED TO INITIATE WARRANTY.

**Subsidiaries**

**Corporate Office (270) 685-4400**

**Modern Welding Company of Owensboro, Inc.**  
 1450 E. Parrish Ave.  
 Owensboro, Kentucky 42303  
 270-683-5323  
 270-684-5245 (Fax)

**Modern Welding Company of Texas, Inc.**  
 715 Sakowitz Street  
 Houston, Texas 77020  
 713-675-4211  
 713-673-4062 (Fax)

**Modern Welding Company of Georgia, Inc.**  
 300 Prep Phillips Dr.  
 Augusta, Georgia 30901  
 706-722-3411  
 706-724-8133 (Fax)

**Modern Welding Company of Ohio, Inc.**  
 1 Modern Way  
 Newark, Ohio 43055  
 740-344-9425  
 740-344-6018 (Fax)

**Modern Welding Company of Iowa, Inc.**  
 2818 Mt. Pleasant Road  
 Burlington, Iowa 52601  
 319-754-6577  
 319-754-8428 (Fax)

**Modern Welding Company of Texas, Inc.**  
 PO Box 85  
 Rhome, Texas 76078  
 817-636-2215  
 817-636-2680 (Fax)

**Modern Welding Company of Florida, Inc.**  
 1801 Atlanta Ave.  
 Orlando, Florida 32806  
 407-843-1270  
 407-423-8187 (Fax)

**Modern Welding Company of California, Inc.**  
 4141 N. Brawley Ave.  
 Fresno, California 93722  
 559-275-9353  
 559-275-4381 (Fax)



## Glasteel II Jacketed Steel Tanks

## Installation Instructions

### Introduction

**1.0** Proper installation is essential to the expected product life and performance on Modern's Glasteel II Underground Storage Tank. This tank must be installed in accordance with these installation instructions, the latest issue of N.F.P.A. 30 and 31 pamphlet, the PEI/RP-100 and local authorities having jurisdiction over underground tank installations and codes. Although the instructions are clear and precise, unexpected conditions often occur and thus prudent thought, coupled with extreme care become the proper procedure.

### Tank Handling

**2.0** Extreme caution shall be used when handling the tank. Do not drop or roll the tank.

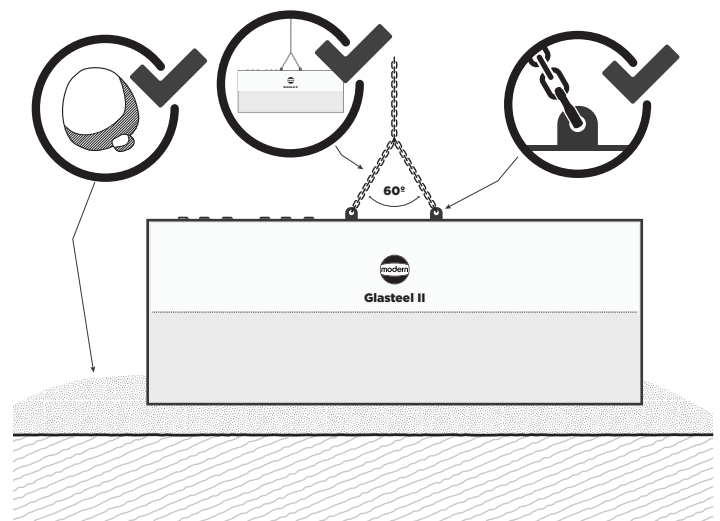
**2.1** Equipment to lift and lower the tank shall be of sufficient capacity to do so without dragging or dropping the tank.

**2.2** The tank shall be lifted and lowered using the lifting lugs or lifting plugs provided. Cables or chains used shall be of adequate length. No circumstances warrant the use of chains or slings around the tank shell. Maximum angle of the sling shall be 60 degrees.

### Tank Storage

**3.0** If tank is stored on site prior to installation, a secure area shall be chosen. Special attention shall be placed in selecting the storage location to assure the absence of rocks and foreign objects that might cause damage to the tank exterior.

Fig 1.a



### Inspection

**4.0** Visually inspect the tank exterior for damage. Any extreme gouging or abrasion should be carefully reviewed and appropriate action taken.

**4.1** Remove thread protectors and shipping plugs from all openings (except vacuum gage fitting assembly). Using compatible, non-hardening pipe sealant, install permanent metal plugs in all unused openings.

**4.2** Refer to Modern Welding Company's publication, "Finishing Instructions" for proper installation of permanent coverings for unused openings and lifting lugs.



## **Glasteel II Jacketed Steel Tanks**

## **Installation Instructions**

**4.3** For Glasteel II tanks fabricated without dielectric isolation, (threaded nylon bushings or flange isolation kits) this tank must use either:

- A) Non-metallic piping, or
- B) Conductive piping must be isolated from the backfill material and any other metal or grounding device.

### **Testing**

**5.0** Glasteel II tanks are shipped with a vacuum gauge assembly which shows the amount of vacuum within the tank's annular space. Tightness testing shall be as follows:

1. Tank's initial vacuum must be a minimum of 12" Hg. (Use the higher vacuum reading on tank at time of delivery. Do not reduce vacuum.)
2. A test period of one hour shall be used.
3. If the initial vacuum reading remains the same or drops less than 1" Hg during the test period, the tank is considered tight.

However, if the vacuum reading drops 1" Hg or more, then additional testing shall be required:

1. The tank's initial vacuum shall be reestablished. This process may take several attempts until the vacuum stabilizes.
2. Restart the one hour test time.
3. At the end of the one-hour test duration, a vacuum loss of less than 1" Hg reading must be maintained.

All tanks shall be tested before they are placed in service, per NFPA-30.

The interstitial space (annular) of such (secondary

containment) tanks shall be tested in accordance with the manufacturer's instructions, per NFPA-30.



**CAUTION: Do Not Pressure Test Interstitial (Annular) Space.**

Note that fluctuations in interstice vacuum are caused by temperature and barometric pressure changes.

**5.1** Installers / owners shall note and document the tank's interstitial (interstice) vacuum at the time of delivery to satisfy tank tightness requirements. Installers/Owners may leave the vacuum and vacuum gauge assembly on the tank to monitor for possible damage during the installation process. If the interstitial vacuum level changes significantly, investigate and contact the tank manufacturer.

**5.2** Vacuum Gauge Assembly Removal: The interstitial precision tightness test gauge assembly is not for long term monitoring of the tank's interstitial (annular) space. This gauge assembly shall be removed when the backfill and associated piping is complete. This will confirm that no damage has occurred to the tank's secondary containment during installation. The annular space monitor opening shall be accessible at grade. This opening must be closed to the atmosphere and protected from external loads and movement.

**5.3** Be sure to confirm that monitor pipe connection to tank and at grade are water and vacuum tight. It is recommended that monitor pipe grade access be locked and secured from tampering. This will prevent accidental introduction of water or product into tank's annular space.



# Glasteel II Jacketed Steel Tanks

# Installation Instructions

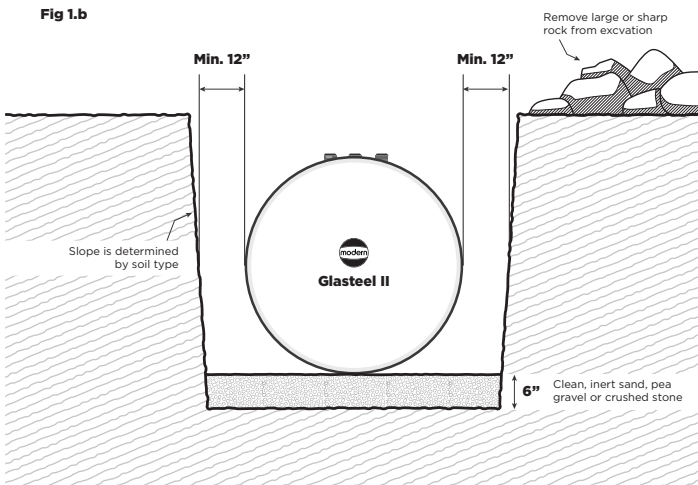
## Excavation and Bedding

**6.0** Glasteel II underground storage tanks are designed to withstand a maximum burial depth of 60". If a greater burial depth is required, contact the manufacturer.

**6.1** The excavation shall be properly prepared and free from any material or objects that would cause damage to the tank exterior.

**6.2** The bottom of the excavation shall be suitably graded and leveled. The foundation for the tank shall be a minimum of 6 inches of clean, inert, compacted sand, pea gravel, or gravel crushings. See chart in "Backfill Section for maximum and minimum sizes of backfill material."

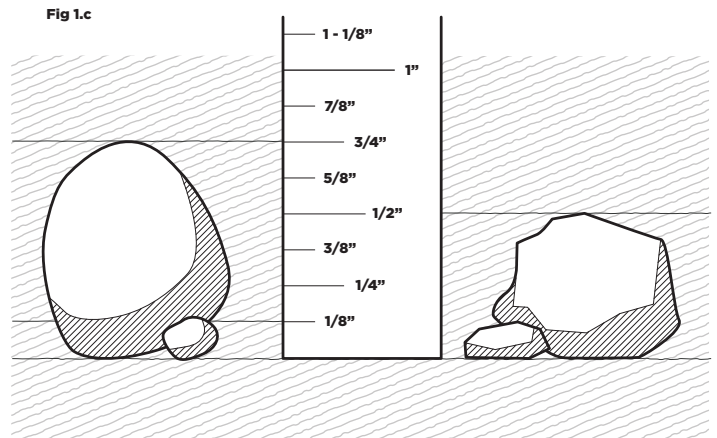
**6.3** There shall be a minimum of 12 inches from the outside edge of the tank to the inside edge of the excavation. This distance shall remain true for the entire perimeter surrounding the tank. Multiple tank installations will also require a minimum of 12 inches between tanks measured from each outside edge (see Fig 1.b).



## Backfill

**7.0** Only the following approved backfill materials may be used (Fig 1.c).

1. Clean washed sand.
  2. Pea Gravel - (particle size must be not less than 1/8 inch or more than 3/4 inch)
  3. Washed stone or gravel crushings (angular particle size required to be not less than 1/8 inch or more than 1/2 inch).
- These materials shall be clean, well granulated, free-flowing, non-corrosive and inert. The back fill material shall be free of debris, rocks, concrete, ice, snow or organic materials that could damage the tank or its coating and interfere with proper compaction of backfill materials.



**7.1** Flowable fill can be used as an alternative to 7.0 backfill above. Flowable fill shall meet the National Ready Mixed Concrete Association for Controlled Low Strength materials (CLSM) with strength ranging from 70 to 150 psi and shall be installed in accordance with good engineering practice.





## Glasteel II Jacketed Steel Tanks

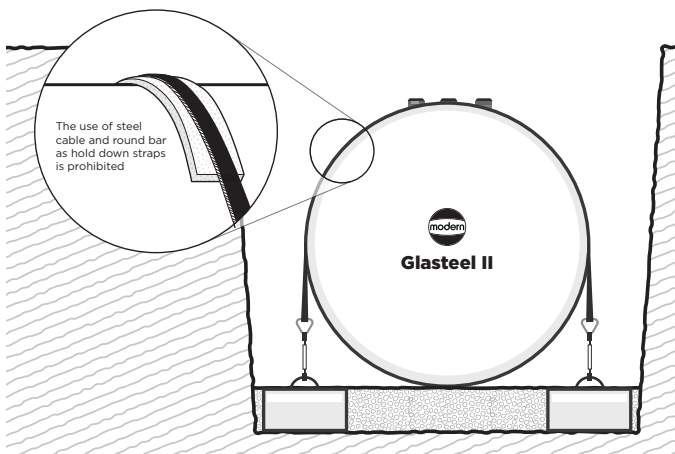
## Installation Instructions

### Anchoring

**8.0** Certain situations require the use of properly designed anchor straps to overcome existing buoyant forces. The straps are used in conjunction with a concrete holddown slab or deadman anchors. All straps must be installed without twists or knots.

**8.1** A pad of inert, isolation dielectric material must be used to separate the steel anchor strap from the tank. Isolation pads are not required for holddown strap materials of approved fiberglass or polyester webbing (Fig 1.d).

Fig 1.d



**8.2** Do not over tighten hold-down straps beyond snug to tank surface and do not re-tighten straps after ballasting.

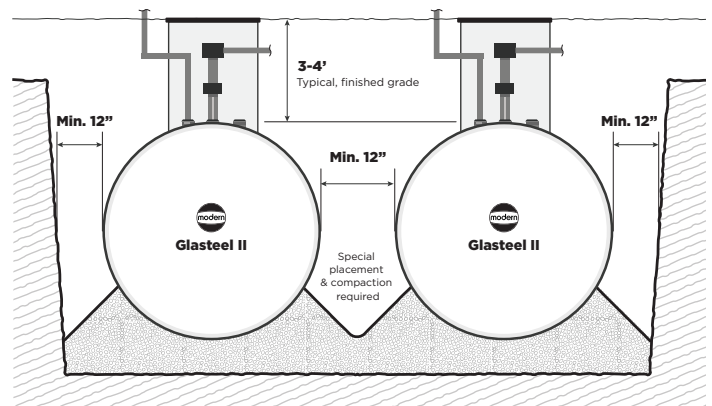
**8.3 CAUTION:** Hold down strap material made of steel cable or round bar is prohibited.

### Backfilling

**9.0** Special care should be taken to ensure that the

backfill is properly installed to evenly support the bottom quadrant of the tank. Utilizing equipment other than a portable (hand held) tamping machine in the placement and compacting of backfill or dropping backfill material directly on the tank's surface can cause vacuum loss and holiday formation. Subjecting the tank's surface to these conditions when backfilling may damage the tank and void the warranty.

Fig 1.e



**CAUTION: Do not backfill in layers using different backfill materials.**

**9.1** If the tank must be water ballasted during the backfill procedure, use only potable water. Ballast water shall not remain in the tank for longer than 60 days. When ballasting a compartment tank, fill and remove ballast from each compartment uniformly. Once installation is complete and prior to introducing product, the tank must be flushed clean. If product is used as ballast, proper precautions must be taken to prevent fires, spills, leaks and other associated accidents. Monitor product level frequently to ensure there has been no loss of product. Warning: Some regulatory agencies prohibit ballasting with product.



## Glasteel II Jacketed Steel Tanks

## Installation Instructions

Check local regulations before ballasting with product.

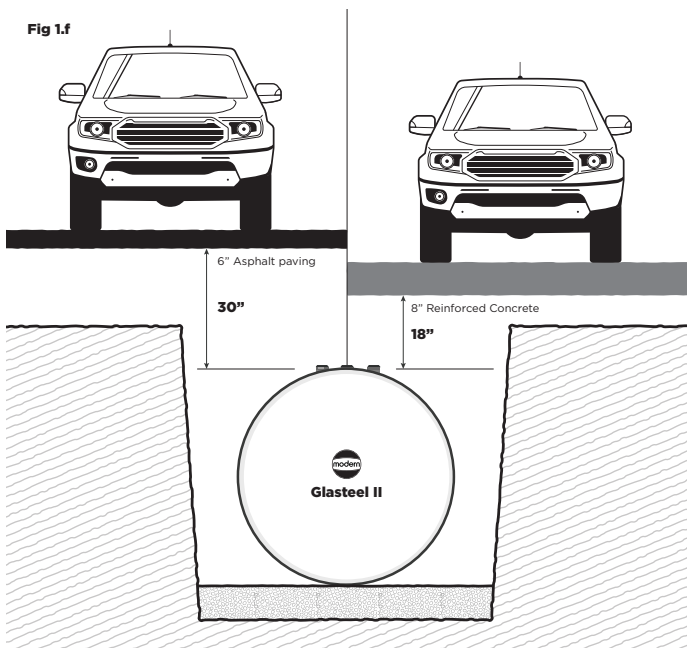
**9.2** The tank shall be encompassed by the proper backfill and extending to a minimum of 12 inches over the top of the tank.

**9.3** Areas subject to heavy vehicular traffic shall have a protective cover of at least 18 inches clean, compacted backfill with 8 inches of reinforced concrete.

**9.4** Areas not subject to heavy vehicular traffic shall have a protective cover of a minimum 18 inches of clean compacted backfill covered by 4 inches of reinforced concrete or 6 inches of asphalt paving. If compacted backfill is the only cover, it shall be a minimum of 24 inches deep.



**CAUTION: Be sure sufficient anchorage is in place to withstand any buoyancy forces exerted by tank.**



### Finishing Instructions

**10.0** A fiberglassing kit is shipped with tank and provides materials to cover unused openings and external attachments, such as lifting lugs. All finishing work will be done prior to backfilling.

**10.1** This tank requires venting. Refer to applicable local codes and PEI RP-100 for proper installation.

See page 11 for detailed finishing instructions.

### Maintenance

**11.0** Maintenance of Underground Storage Tanks. Both the Environmental Protection Agency (EPA) and the American Petroleum Institute (API) recommend that periodic maintenance be performed on all underground fuel storage tanks. The Petroleum Equipment Institute (PEI) and the Steel Tank Institute (STI) require prompt removal of water bottoms regardless of materials used for tank construction. The tank owner is solely responsible for the proper operation and maintenance of the storage tank system. The primary tank should be inspected for the presence of water bottoms and sludge buildup on a regular basis. Lack of such maintenance and inspection control measures by the owner and operator may invalidate the Modern Welding Company Limited Warranty. Maintenance type and scheduling must be performed as outlined and recommended in either STI Storage Tank Maintenance R-111 <http://www.steeltank.com> or PEI's recommended practice, RP-900, Appendix A-1, Appendix A-2 and Appendix A-3 <http://www.pei.org>.



## **Glasteel II Jacketed Steel Tanks**

## **Installation Instructions**

**11.1** The publications listed below outline usual and customary storage tank maintenance best practices. Failure to implement and follow these guidelines could negate the manufacturer's warranty.

**11.2** Safety considerations and controls should be established prior to undertaking physical activities associated

with underground storage tanks. Some hazards associated with USTs are, but not limited to, confined space entry, cleaning, inspection, moving and any other aspect of in-service work.

**11.3** Contact tank manufacturer before moving tank for information on recertifying tank for continued use.

---

### **Publication Lists**

Listed below are publications containing recommended practices and procedures for the proper maintenance of storage tank systems.

**API Recommended Practice 1621**

Bulk Liquid Stock Control at Retail Outlets  
api-ec.api.org

**STI Document R-111**

Storage Tank Maintenance

**API Recommended Practice 2610**

Design, Construction, Operation, Maintenance and Inspection of Terminal and Tank Facilities.  
api-ec.api.org

**EPA's "Operating and Maintaining Underground Storage Tank Systems"**

[www.epa.gov/swerust1/pubs/ommanual.pdf](http://www.epa.gov/swerust1/pubs/ommanual.pdf)

**ASTM Standard D6469-69**

Standard Guide for Microbial Contamination in Fuels and Fuel Systems  
[www.astm.org](http://www.astm.org)

**\*PEI, RP-900, Recommended Practices for the Inspection and Maintenance of UST Systems**

Forms for recording maintenance can be printed off PEI Web site at [www.pei.org/RP900](http://www.pei.org/RP900).

FORM Glasteel II Installation Instructions 1-2023 ©



# Finishing Instructions

## Glasteel II Jacketed Steel Tanks

### Fiberglass Finishing Kit

This fiberglass finishing kit provides materials to cover unused tank openings and external attachments. By following these "Finishing Instructions" you will ensure the proper sealing and corrosion protection for your new fiberglass coated underground storage tank.

#### 12.0 Fiberglass finishing kit contains the following materials:

- Bottle of catalyst
- 1 or more containers of resin
- Preformed lifting lug covers
- Tube of silicone caulk for lug cover
- Fiberglass mat attachment

(Note: For tanks supplied with removable "screw-in" lifting lugs no lug covers or silicone sealant will be furnished. Installer is required to plug or pipe up these openings as described in installation instructions.)

#### Additional required items:

- Mixing cups
- Wooden stirring sticks
- Sandpaper
- 1 1/2" disposable paint brushes
- Scissors

**12.1 Surface preparation:** Select the areas where fiberglass laminate will be applied. Using sandpaper, rough up that area to prepare surface for proper bonding of the fiberglass laminate.

**12.2 Resin preparation:** Prior to mixing the resin and catalyst together, locate and place all the items needed near the location where you are going to install them. Mix the resin and catalyst together and completely saturate the matting. Remember, after mixing a batch of resin and catalyst together, you have approximately 10 minutes to work with mixture before it starts to "Gel" then harden and cure out. (This working time is based on 70 F temperature. If air temperature is 100 F, then working time is approximately 5 minutes before resin mixtures "Gels" then hardens and cures out.)

**12.3 Resin and catalyst mixing:** When mixing the resin and catalyst together, mix only the amount you can apply in the allotted time. Use the following mixing chart for the various batch sizes. If you are unfamiliar with resins, then mix the smallest batch as a sample to determine the required curing time for the resin to "Gel."

Resin	Catalyst
2 qts.	1 oz.
1 qts.	1/2 oz.
1 pt.	1/4 oz.
1 cup	1/8 oz.



Safety Data Sheets

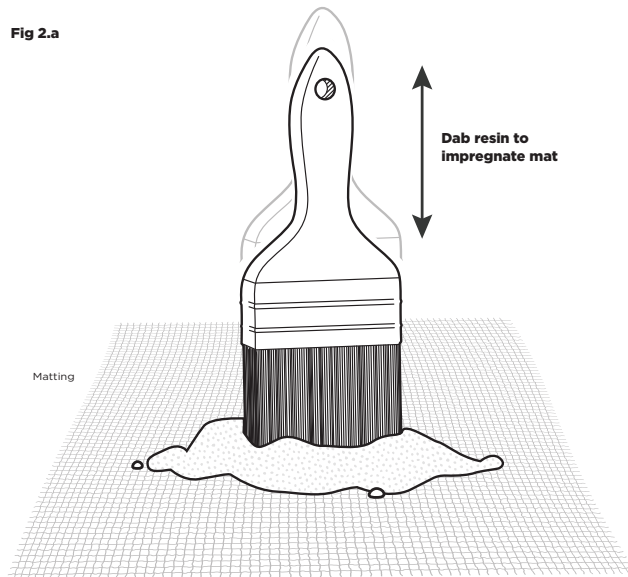


# Finishing Instructions

## Glasteel II Jacketed Steel Tanks

**12.4 Resin Application:** When applying the resin mixture to the matting, saturate or impregnate the matting by dabbing the resin into the material. Do not brush the resin on the matting because it will not saturate the matting properly.

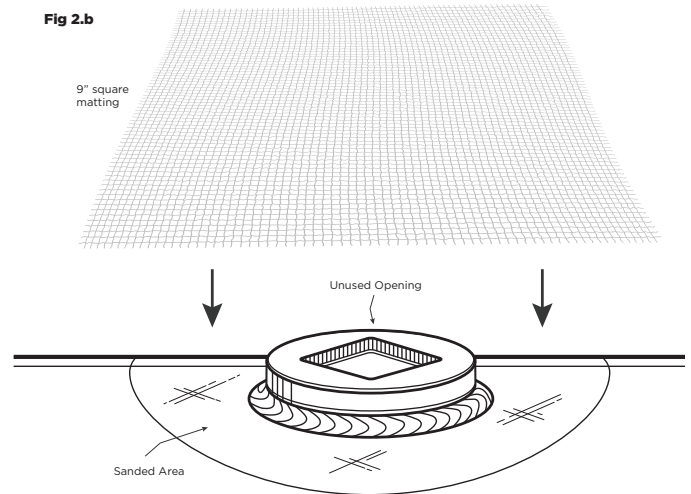
Fig 2.a



**12.5 Removable “screw-in” lifting lugs and unused tank openings:** If your fiberglass coated tank has removable, “screw-in” type lifting lugs, remove lifting lug and treat as an unused opening. Any unused threaded opening, shall have a metal pipe plug properly doped and securely installed in the opening. Rough up the area around the threaded opening with sandpaper.

Mix resin and saturate fiberglass mat. Place the saturated mat over the unused opening and apply additional resin, dabbing the mat into place.

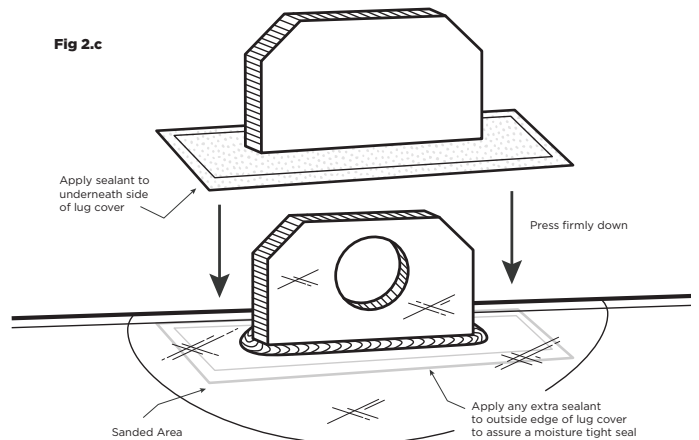
Fig 2.b



**12.6 Lug covers for permanent lifting lugs attachments:**

If your fiberglass coated tank has permanently welded lifting lugs, then your kit will include non-metallic lifting lug covers and a tube of sealant. Install lug covers over lifting lugs per the following instructions.

Fig 2.c





## Finishing Instructions

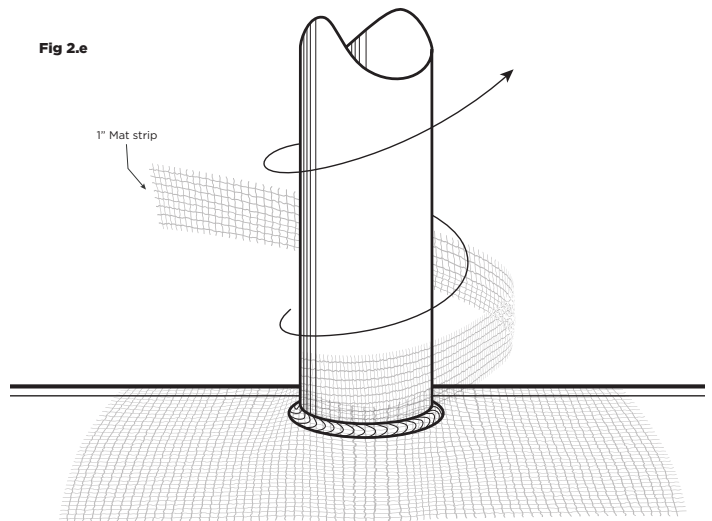
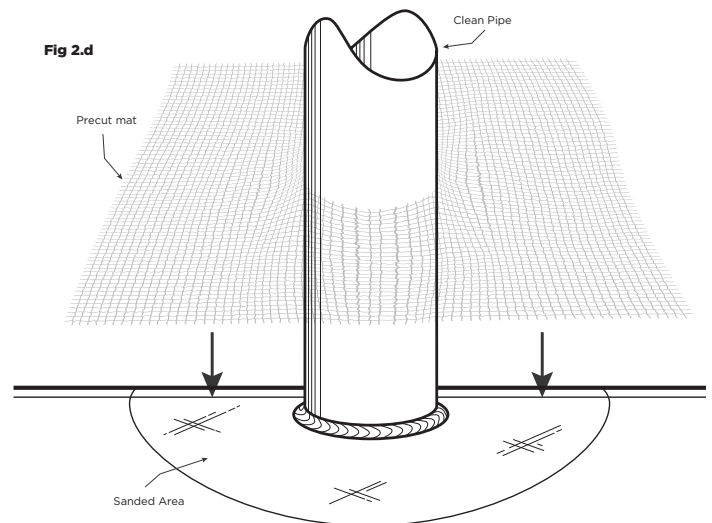
## Glasteel II Jacketed Steel Tanks

Rough up area around the permanently affixed lifting lug. Apply the sealant to the underneath side of the lug cover and place lug cover over the lifting lug. Push lug cover down firmly until sealant protrudes out around the perimeter of the lug cover. Apply any extra sealant to outside edges of the lug cover to assure a moisture tight seal.

Allow at least two (2) hours for sealant to cure before backfilling over lug covers. Care should be exercised not to hit or damage lug covers during the backfilling operation.

**12.7 Pipe connection covers:** Sand areas where matting is to be placed on tank and piping. Saturate matting with resin and place mat around pipe as shown in illustration. Db mat into place with additional resin if required. Saturate 1" wide fiberglass strips, starting at the base of the pipe, wrap the fiberglass strip around the pipe, lapping the mat 1/2 its width, see illustration.

Note: Finishing Instructions are not complete until all exposed steel surfaces on tank are sealed with fiberglass resin.





**Modern Welding Company**

www.modweldco.com

**14**  
Warranty

**Glasteel II Jacketed Steel Tanks**

**Warranty**

**Tank Warranty Activation**

**13.0** FOR GLASTEEL II WARRANTY TO BE INITIATED, THE INSTALLATION CHECKLIST MUST BE PROPERLY FILLED OUT BY THE CUSTOMER, AND RETURNED TO THE MODERN WELDING CO. SUBSIDIARY THAT MANUFACTURED THE TANK. THE INSTALLATION CHECKLIST MUST BE RETURNED WITHIN 30 DAYS AFTER DATE OF INSTALLATION. IF THE GLASTEEL II TANK HAS NOT BEEN INSTALLED WITHIN 90 DAYS OF DELIVERY FROM THE MANUFACTURER, IT IS REQUIRED THAT THE TANK BE RE-CERTIFIED BY THE MANUFACTURER AT THE OWNER'S EXPENSE PRIOR TO INSTALLATION.

**Glasteel II Limited Warranty Verification**

(See back for items of limited warranty)

Warranty issued to:

Installation site:

Ship date:

Installation date:

UL No.	Capacity	Diameter (inches)	Length (inches)

**OFFICE USE ONLY - TO BE COMPLETED BY MODERN WELDING**

Modern Welding Company of \_\_\_\_\_, Inc.

By: \_\_\_\_\_ Date: \_\_\_\_\_

Vice-President and Plant Manager

## **Glasteel II Limited Warranty**

**Manufacturer warrants its underground tanks, if installed within the continental United States of America, Alaska, Hawaii and the Commonwealth of Puerto Rico or Canada, in accordance with the installation instructions within 90 days from the date of delivery from manufacturer \*, as evidenced by the return of the completed installation checklist within 30 days of installation, and maintained in accordance with the installation instructions and as recommended in PEI/RP 900:**

- a) will meet published specifications and will be free from defects in materials and workmanship for a period of one (1) year following date of shipment;
- b) will not fail for a period of thirty (30) years from the date of original purchase due to external corrosion;  
and
- c) will not fail for a period of thirty (30) years from date of original purchase due to internal corrosion, provided the tank is used exclusively to store gasoline, E10 (90% gasoline and 10% ethanol mixture), E15 ( 85% gasoline and 15% ethanol mixture) E85 (15% gasoline and 85% ethanol mixture) jet fuel, diesel fuel, 100% methanol, 100% ethanol or kerosene at ambient underground temperatures; or to store fuel oil at temperatures not to exceed 120 degrees F.

**Manufacturer's liability under this warranty shall be limited to the original owner of the tank at the original installation location only and, at manufacturer's option, to:**

- a) repair of the defective tank
- b) delivery of a replacement tank to the point of original delivery  
or
- c) refund of the original purchase price:

**MANUFACTURER SHALL NOT BE LIABLE FOR ANY LABOR, INSTALLATION OR REMOVAL COSTS, INDIRECT OR INCIDENTAL OR CONSEQUENTIAL DAMAGES, OR ANY OTHER COSTS OR DAMAGES IN CONNECTION WITH SUCH TANKS.**

\*If the tank is not installed within 90 days from the date of delivery from the manufacturer, the tank must be re-certified by the manufacturer prior to installation.

In the event of a natural disaster including but not limited to flooding, windstorm, earthquake, earth movement, volcanic action, or other act of God, or in the event of fire, explosion, vandalism, act of war or civil unrest resulting in damage to the tank or installation site, or in the event of any unapproved repairs and/or alterations, the manufacturer's warranty shall be null and void.

**THE FOREGOING CONSTITUTES MANUFACTURER'S EXCLUSIVE OBLIGATION AND MANUFACTURER MAKES NO EXPRESSED OR IMPLIED WARRANTIES, OR ANY WARRANTY OF MERCHANTABILITY OR FITNESS FOR ANY PARTICULAR PURPOSE WHATSOEVER, EXCEPT AS STATED ABOVE.**



**Modern Welding Company**

[www.modweldco.com](http://www.modweldco.com)